

CLAMPS

7C SERIES

These quick-operating clamps speed installation and maintenance of wire bundles, hose, tubing, cable and conduits. They provide split-second access to clamped material with accepted, proven, vibration-proof Camloc 1/4-turn fasteners, which are available in a variety of hand- and tool-operated head styles. Some styles have liners that allow positive clamping of material without damage.

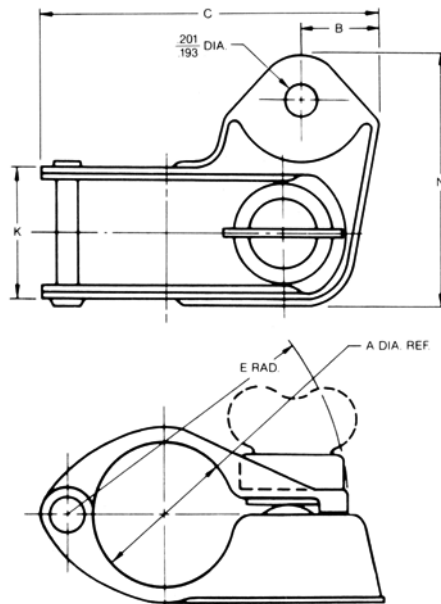
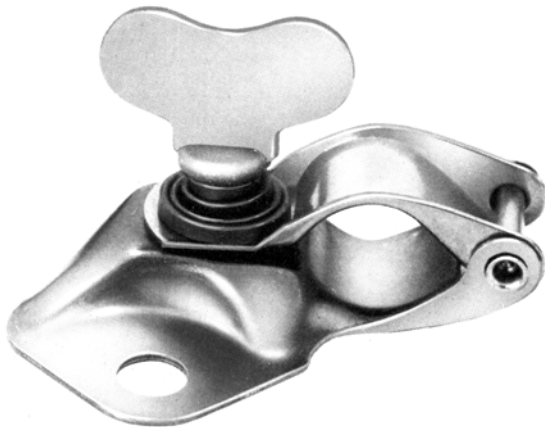
7C Series clamps are easily mounted; in most cases they mount with a single screw, rivet or spot weld.

Features:

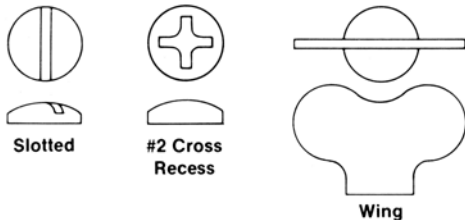
- 1/4-turn access to wire bundles, tubing, cable, etc.
- Sizes 1/4" to 1-1/2."
- Available unlined, or with Neoprene or Stainless Steel liners.
- Hand or tool actuated head styles.
- Wide clamping area and rounded edges prevent scarring or cutting

Unlined. 7C1-*. 1/2" to 1-1/2" Nominal Clamp Size.

- Single Hole Mounting
- Passivated Stainless Steel
- Temperatures to 450° F.



Head Styles:



Ordering Information:

Head Style	Part No.
Slotted	7C1-*
#2 Cross Recess	7C1-*C
Wing	7C1-*

*Select dash number for clamp size from Selection & Dimension Table below.

Selection & Dimension Table

Nominal Clamp Size	*Dash No.	A Ref.	B ± .02	C ± .03	E ± .02	K± .010	N ± .03	Weight (lbs.)	
								7C1-#	7C1-#W
1/2	-8	.500	.42	1.66	1.29	.698	1.29	.0348	.0375
5/8	-10 †	.625	.42	1.80	1.56	.698	1.29	.0372	.0399
3/4	-12	.750	.42	1.95	1.56	.698	1.29	.0422	.0449
7/8	-14 †	.875	.42	2.01	1.74	.698	1.29	.0464	.0491
1	-16	1.000	.46	2.18	1.89	.704	1.30	.0520	.0597
1-1/8	-18	1.125	.47	2.29	2.03	.704	1.30	.0574	.0663
1-1/4	-20	1.250	.50	2.46	2.18	.704	1.30	.0649	.0756
1-3/8	-22	1.375	.52	2.57	2.32	.716	1.31	.0666	.0792
1-1/2	-24	1.500	.52	2.71	2.47	.716	1.31	.0769	.0900

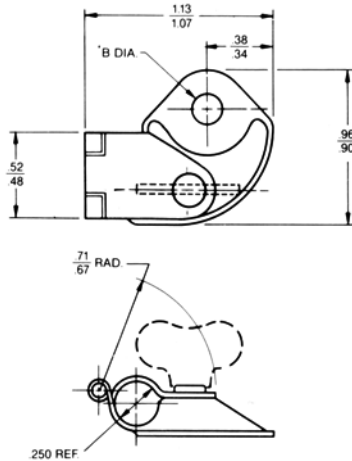
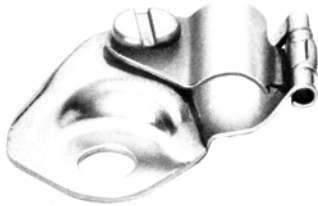
Dash number 10 clamp is also available with a ²⁷⁵/₂₆₃ Dia. mounting hole; specify 7C1-10D.

CLAMPS

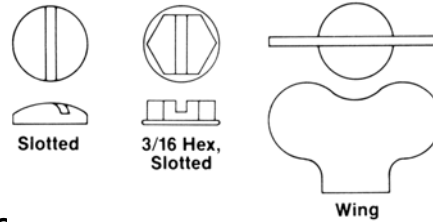
7C SERIES

Unlined. 7C1-4. 1/4" Nominal Clamp Size.

- Single Hole Mounting
- Passivated Stainless Steel
- Temperatures to 750°F.



Head Styles:

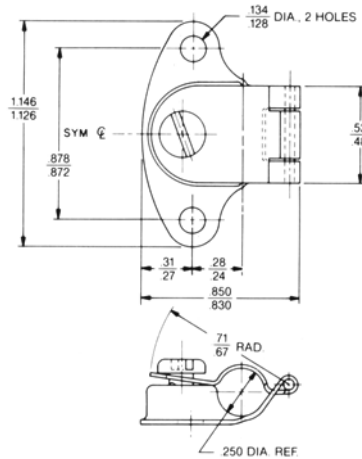


Ordering information:

B Diameter	Head Style	Part No.	Weight (lbs.)
.198 .191	Slotted	7C1-4	.0074
.134 .128	Slotted	7C1-4A	.0074
.257 .251	Slotted	7C1-4B	.0074
.198 .191	3/16 Hex, Slotted	7C1-4H	.0074
.198 .191	Wing	7C1-4W	.0101

7C31-1AA. 1/4" Nominal Clamp Size.

- Double Hole-Mounting
- Passivated Stainless Steel
- Temperatures to 750°F.



Head Style:



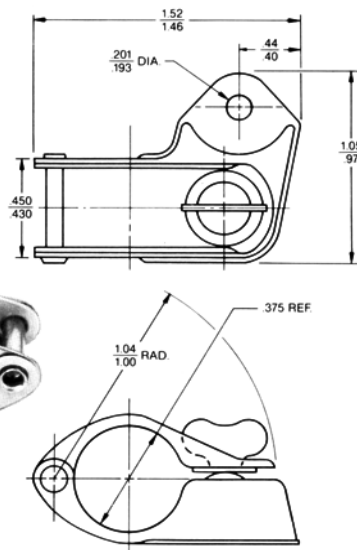
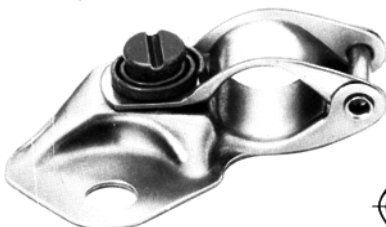
Ordering Information:

Head Style	Part No.	Weight (lbs.)
Slotted	7C31-1AA	.0074

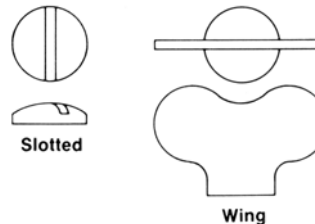


7C1-6. 3/8" Nominal Clamp Size.

- Single Hole Mounting
- Passivated Stainless Steel
- Temperatures to 450°F.



Head Styles:



Ordering Information:

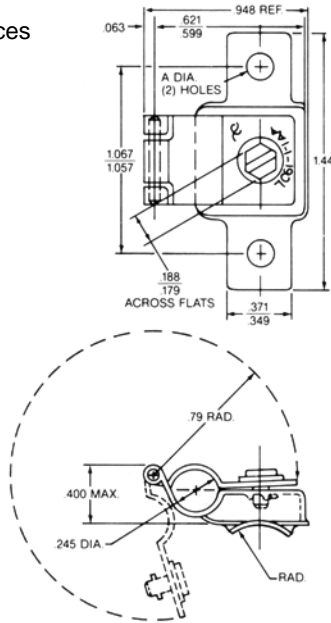
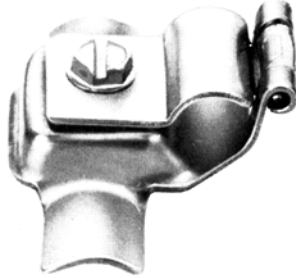
Head Style	Part No.	Weight (lbs.)
Slotted	7C1-6	.0241
Wing	7C1-6W	.0268

CLAMPS

7C SERIES

Curved or Flat Surface Mounting. 7C61. .245" Nominal Clamp Size.

- Mounts on Curved or Flat Surfaces
- Passivated Stainless Steel
- Temperatures to 750°F.

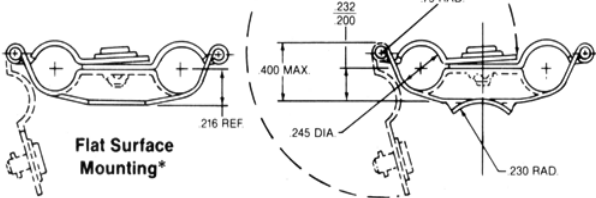
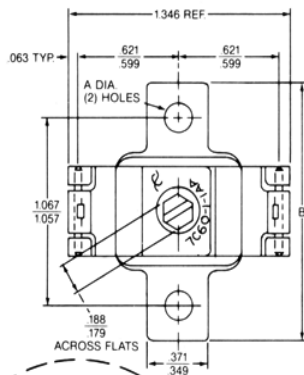


Ordering Information:

Mounting Flange	A Diameter	Part No.
Curved .230R	.146-.156	7C61-1-1AA
Curved .230R	None	7C61-1-2AA
Flat	None	7C61-2-2AA
Curved .18R	none	7C61-3-2AA
Flat	.146-.156	7C61-2-1AA

7C60. .245" x 2 Nominal Clamp Size.

- Dual, Quick-Access Clamp
- Mounts on Curved or Flat Surfaces
- Passivated Stainless Steel
- Temperatures to 750°F.



*Dimensions same as Curved Surface Mounting except where indicated.

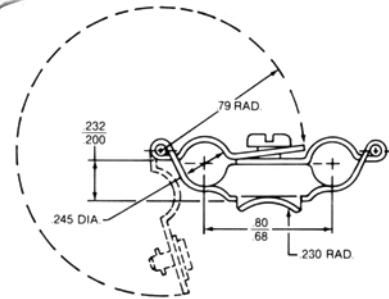
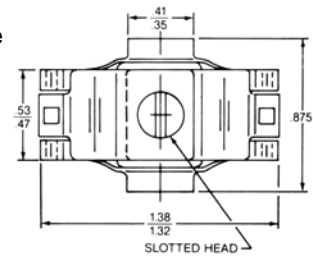
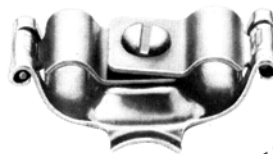
Curved Surface Mounting

Ordering Information:

Mounting Flange	A Diameter	B Diameter	Part No.
Curved	.146-.156	1.39	7C60-1-1AA
Curved	.129-.139		7C60-1-2AA
Curved	None		7C60-1-3AA
Flat	None	1.44	7C60-2-3AA
Flat	.146-.156		7C60-2-1AA
Flat	.129-.139		7C60-2-2AA

7C70. .245" x 2 Nominal Clamp Size.

- Dual, Quick-Access Clamp
- Short Mounting Tabs for Welding to Curved Surface
- Passivated Stainless Steel
- Temperatures to 750°F.



Ordering Information:

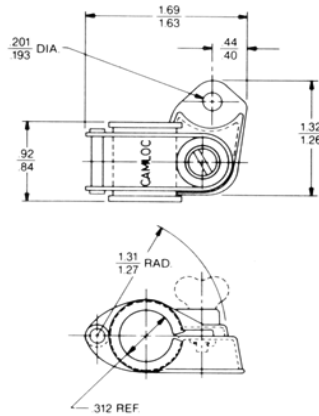
Mounting Flange	Part No.
Curved	7C70-4-1AA
Flat	7C70-4-2A

CLAMPS

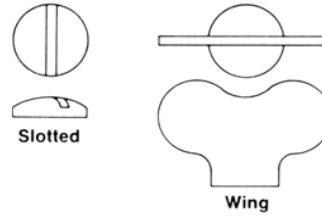
7C SERIES

Neoprene Liners. 7C27-5. 5/16" Nominal Clamp Size.

- Neoprene Liner
- Single Mounting Hole
- Passivated Stainless Steel
- Temperatures to 212°F.



Head Styles:

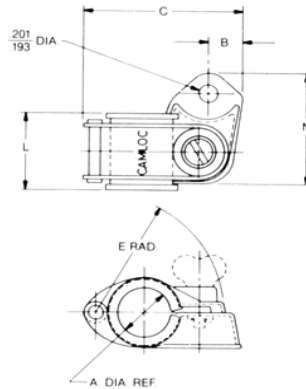
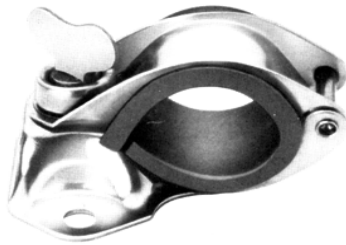


Ordering Information:

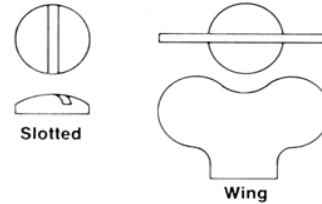
Head Style	Part No.	Weight (lbs.)
Slotted	7C27-5AA	.0402
Wing	7C27-5BA	.0429

7C27-*.3/8" to 1-3/8" Nominal Clamp Size.

- Neoprene Liner
- Single Mounting Hole
- Passivated Stainless Steel
- Temperatures to 212°F.



Head Styles:



Ordering Information:

Head Style	Part No.
Slotted	7C27-*A
Wing	7C27-*BA

*Selected dash number for clamp size from Selection & Dimension Table below.



Selection & Dimension Table

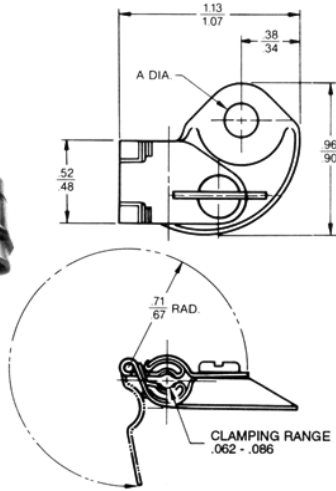
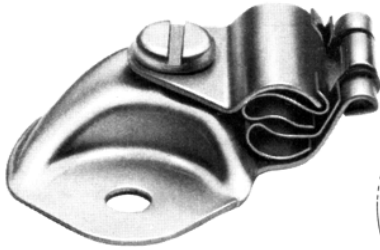
Nominal Clamp Size	Dash No.	A Ref.	B - .02	C - .03	E - .02	L - .04	N - .03	Weight (lbs.)	
								7C27-#AA	7C27-#BA
3/8	-6	.375	.42	1.66	1.29	.88	1.29	.0386	.0413
7/16	-7	.438	.42	1.80	1.56	.88	1.29	.0442	.0469
1/2	-8	.500	.42	1.80	1.56	.88	1.29	.0421	.0448
9/16	-9	.562	.42	1.95	1.56	.88	1.29	.0508	.0535
5/8	-10	.625	.42	1.95	1.56	.88	1.29	.0481	.0508
11/16	-11	.688	.42	2.01	1.74	.88	1.29	.0565	.0592
3/4	-12	.750	.42	2.01	1.74	.88	1.29	.0534	.0561
13/16	-13	.812	.46	2.18	1.89	.88	1.30	.0635	.0712
7/8	-14	.875	.46	2.18	1.89	.88	1.30	.0599	.0676
15/16	-15	.938	.47	2.29	2.03	.88	1.30	.0705	.0794
1	-16	1.000	.47	2.29	2.03	.88	1.30	.0665	.0754
1-1/16	-17	1.062	.50	2.46	2.18	.88	1.30	.0796	.0903
1-1/8	-18	1.125	.50	2.46	2.18	.88	1.30	.0751	.0858
1-3/16	-19	1.188	.52	2.57	2.32	.88	1.31	.0828	.0954
1-1/4	-20	1.250	.52	2.57	2.32	.88	1.31	.0778	.0904
1-5/16	-21	1.312	.52	2.71	2.47	.88	1.31	.0946	.1077
1-3/8	-22	1.375	.52	2.71	2.47	.88	1.31	.0892	.1023

CLAMPS

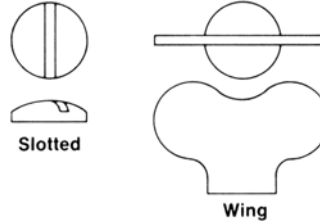
7C SERIES

Stainless Steel Liners. 7C11-4. .08" Nominal Clamp Size.

- Stainless Steel Liner
- Single Hole Mounting
- Passivated Stainless Steel
- Temperatures to 750°F.



Head Styles:

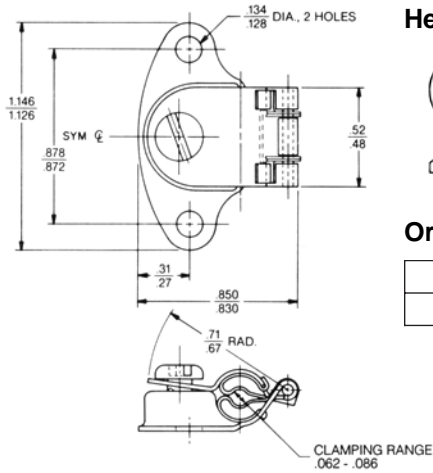


Ordering Information:

Head Style	Part No.	A Diameter	Weight (lbs.)
Slotted	7C11-4	$\frac{.198}{.191}$.0094
Slotted	7C11-4A	$\frac{.134}{.128}$.0094
Wing	7C11-4B	$\frac{.198}{.191}$.0121

7C41-1AA. .08" Nominal Clamp Size.

- Stainless Steel Liner
- Double Hole Mounting
- Passivated Stainless Steel
- Temperatures to 750°F.



Head Styles:



Ordering Information:

Head Style	Part No.	Weight (lbs.)
Slotted	7C41-1AA	.0087